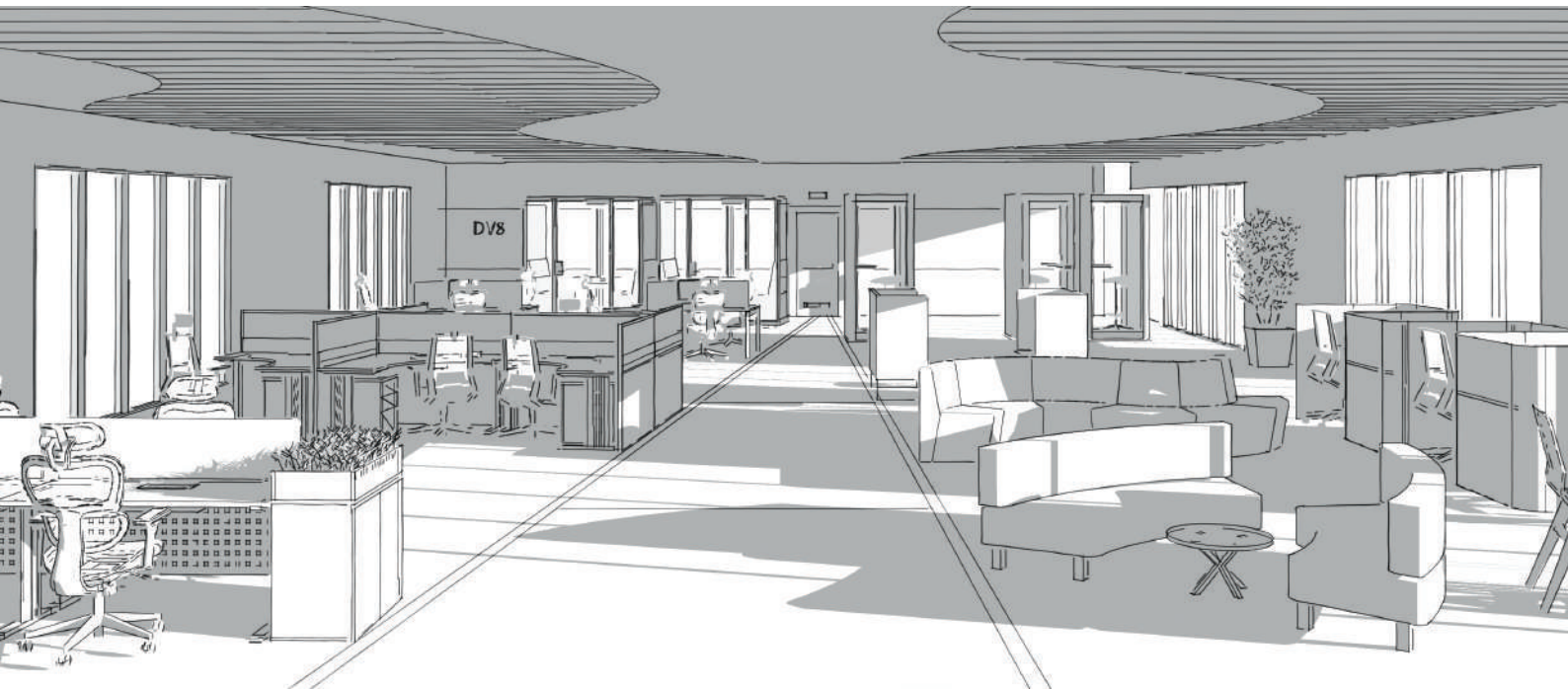


DVS

S P A C E
REIMAGINED

iPOWER RAIL V2





iPower Rail V2 is a modular power rail system designed for modern workspaces that demand flexibility, safety, and clean aesthetics. Power outlets can be easily added, removed, or repositioned along the rail with a simple twist — allowing layouts to evolve without rewiring.

Engineered with durability and safety in mind, iPower Rail V2 integrates form and function into a single, streamlined solution that blends effortlessly into desks, counters, and cabinetry.

By leveraging advanced manufacturing techniques and high-quality materials, the system delivers reliable power distribution that is intuitive to use, energy-efficient, and built for long-term performance.

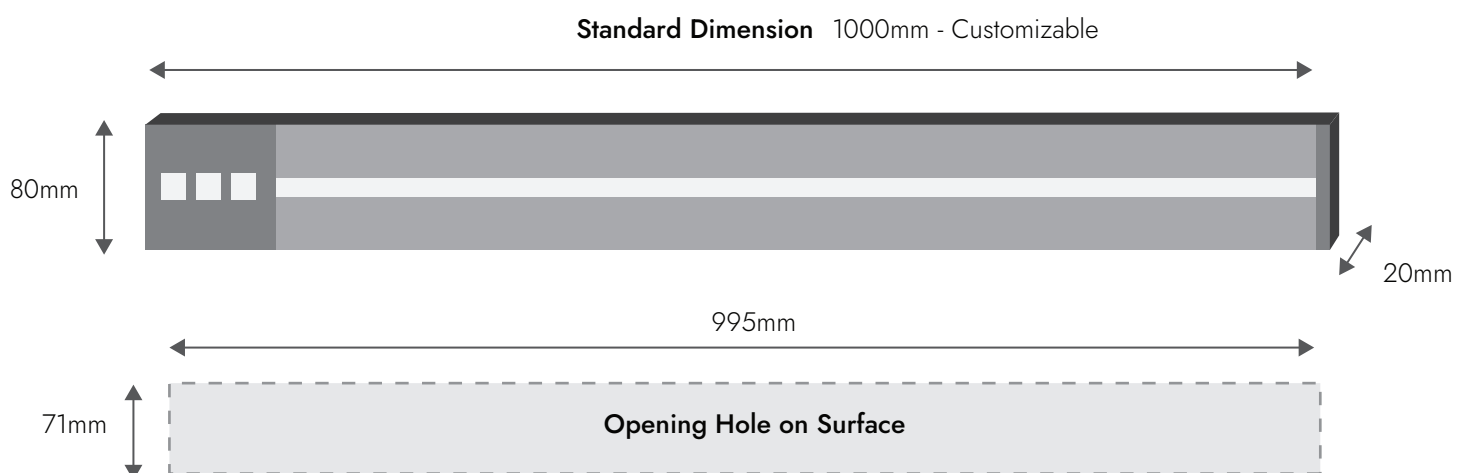




The iPower Rail V2 supports high-capacity power distribution, making it suitable for a wide range of commercial and residential applications. Designed for both surface-mounted and recessed installation, it can be integrated flush into carpentry for a clean, architectural finish.

Whether installed in offices, kitchens, meeting rooms, or collaborative spaces, iPower Rail V2 is designed to look intentional — not added on.

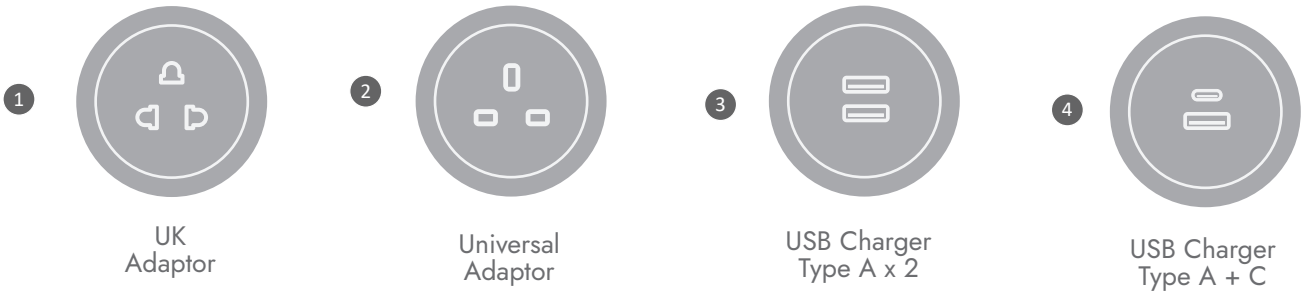
SPECIFICATIONS



Rated Current 32A~32A (Dual AC + DC)
Rated Voltage 250V~250V (Dual AC + DC)
Made in Singapore

Warranty 5 year

ACCESSORIES



Rated Current 13A
Rated Voltage 250V
Diameter 70mm

Thickness 30mm
Weight 84gr

Warranty 3 years on Socket
 1 year on LED Light

CHANGABLE MODULES




Up to 3 modules per rail

Warranty 1 year

MODULES SELECTIONS



Tel
Cat6 Punch/FT



Data
Cat6A/FT



Coaxial
Data FT



VGA
AV FT




HDMI
AV FT



XLR
FT



High Power
Switch 20A



Audio
3.5mm FT



ABOUT US

Founded in 2009, DVS Holdings began as a family-run business with just one showroom in Gambas. Guided by the belief that no workspace is too small, too unique, or too complex to reimagine, we have since grown into a trusted local provider of office furniture and workspace solutions in Singapore.

Today, we operate three showrooms, two fully stocked warehouses, and our in-house production workshop, supporting clients with speed, flexibility, and precision at every stage of their office transformation.

OUR VISION

To be Singapore's most trusted office transformation provider, where every Space is Reimagined with Dedication, Vision, and Sophistication.

OUR MISSION

We deliver bespoke, end-to-end workspace solutions in Singapore that bring clients' vision to life. With a deep understanding of the local business environment, we design for real-world space constraints, integrating ergonomic office innovations that support Singapore's fast-paced, high-performance work culture.

Whether it's fitting custom workstations into compact layouts or coordinating renovation and installation, we tailor every detail with intention.



OUR EDGE

1

Custom-made for Your Vision

We craft bespoke office furniture in Singapore that clients trust, tailored in size, shape, and finish to bring each unique workspace vision to life.

2

In-House Manufacturing Advantage

We offer in-house production of office furniture in Singapore, delivering the speed, quality control, and competitive pricing our clients trust.

3

Local Ready Stock Availability

We maintain ready stock of office furniture in Singapore, ensuring faster delivery and fewer delays compared to providers who rely on indent orders.

4

Competitive Pricing

We offer affordable office furniture in Singapore that clients trust, providing great value for money without compromising on quality.

5

Fast Quote-to-Delivery Turnaround

We provide a fast office furniture quote in Singapore within a day, followed by speedy delivery soon after. With DVS, there's no waiting around.

6

Practical, Precision-Driven Design

We design practical, precision-driven office workstations in Singapore, focusing on details like cable management, electrical point accessibility and power sockets placements, while overseeing large-scale office renovation projects.

7

Service Flexibility

We offer flexible service for fast setups or multi-phase office renovation in Singapore, adapting to your project schedule to ensure seamless delivery.

8

End-to-End Solutions with Ongoing Support

We offer end-to-end office solutions, from space planning to office fit-outs and furniture installations, all handled by one dedicated team. And our service does not stop at handover: we provide reliable after-sales support including post-installation service, parts replacement, and urgent fixes

9

Trend-Responsive, Globally Inspired

We stay ahead of office furniture trends in Singapore, drawing inspiration from international design exhibitions and sourcing eco-friendly, sustainable materials to create timeless and future-ready workspaces.

898+

Major
Projects
Completed

3,582+

Organisations
and Client
Served

107+

Team Members
and Specialist
Partners

16+

Years of Trusted
Industry
Experience

6,500+

Sqft of Inspiring
Showroom
Display

(As of 2025)



S P A C E
REIMAGINED

✉ sales@dvs.sg

Showrooms

DVS@Ubi

81 Ubi Avenue 4, #01-24/25/26

UB. One, Singapore 40880

☎ +65 6636 2812

DVS@Gambas

7 Gambas Crescent, #01-30/31/32

Ark@Gambas, Singapore 757087

☎ +65 6753 7877

Headquarter, Showroom, Warehouse and Production Facility

DVS@Tuas South

1 Tuas South Link 3

Singapore 636760

☎ +65 6366 4231

Warehouse and Production Facility

DVS@Tuas View

38 Tuas View Square, Singapore 637770

